



## KEY FEATURES

- Eliminates flat battery from continuous transceiver run time
- Easy to install – fasteners included
- Retro-fit to existing NGT/Envoy Installations
- Rugged IP54 design
- Low operating current
- Installation card included

The Codan Ignition Sense Relay (ISR) is designed to allow synchronous operation between your radio solution and vehicle run times. Ensuring continued mobility and battery longevity, the ISR is an valuable accessory for both new and existing vehicular installations.

### THE SOLUTION

The Codan ISR will automatically disconnect the DC supply to a connected Codan NGT or Envoy radio when the vehicle is switched off. This eliminates the risk of battery depletion associated with an operational transceiver inside an unmanned vehicle.

### EASE OF INSTALLATION

In-line connection with the standard Codan battery cable allows for mostly plug and play connectivity in existing installations. Only one additional Ignition Sense Wire is required to complete the electrical installation.

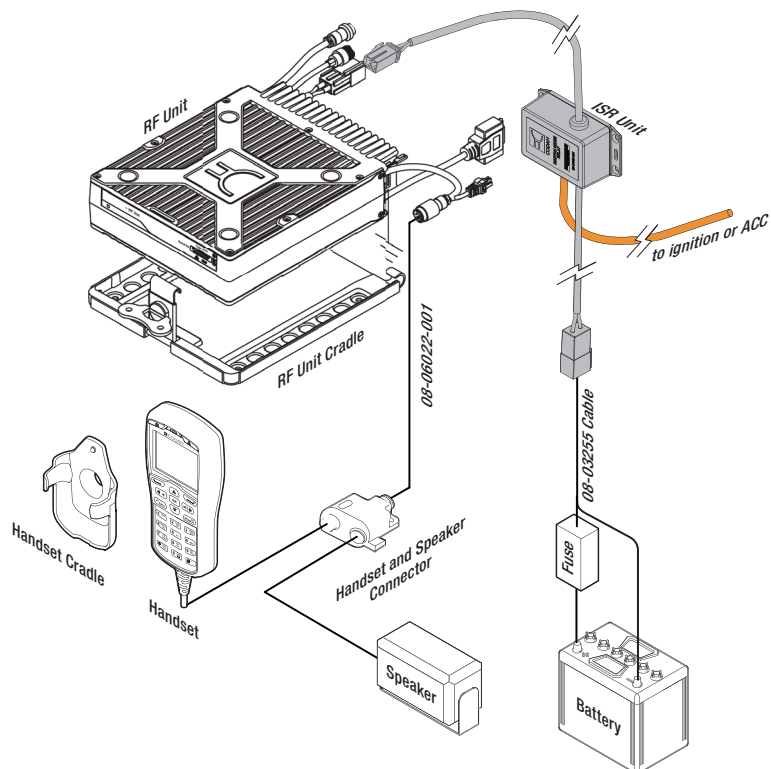
A kit of fasteners are supplied with the accessory enabling the ISR to be secured into position quickly and easily.

### USER CONFIGURATION

The Ignition Sense Wire can be connected to a vehicle Accessory (ACC) or Ignition On line. This allows the user to determine if the transceiver will get power when the vehicle is running or when the key is turned to the ACC position.

### INTUITIVE OPERATION

The connected NGT or Envoy Radio will return to the same state as it was in when the vehicle was switched off. If the radio was off it will remain off. If the radio was on, it will power up with the vehicle to guarantee continued radio system availability.



# CODAN

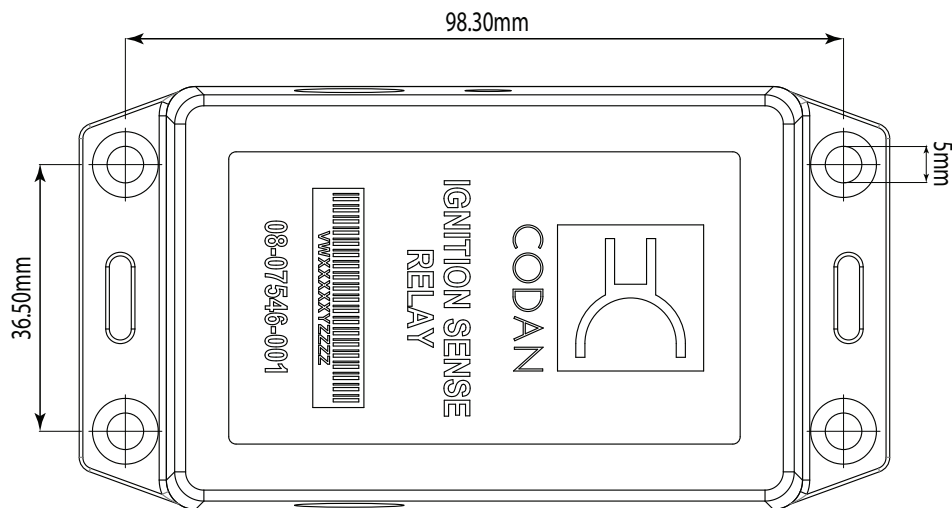
# IGNITION SENSE RELAY



CODAN  
COMMUNICATIONS

## SPECIFICATIONS

Size	110mm x 60mm x 40mm
Weight	280g
Ignition Sense Line draw (active)	203mA at 13.8V
Ignition Sense input range	8 to 16VDC
Ingress Protection	IP54
Ignition Sense Line draw (inactive)	0mA
Lengths of cables on ISR box	950mm each
Codan part number	08-07546-001



Values noted are typical. Equipment descriptions and specifications subject to change without notice or obligation.